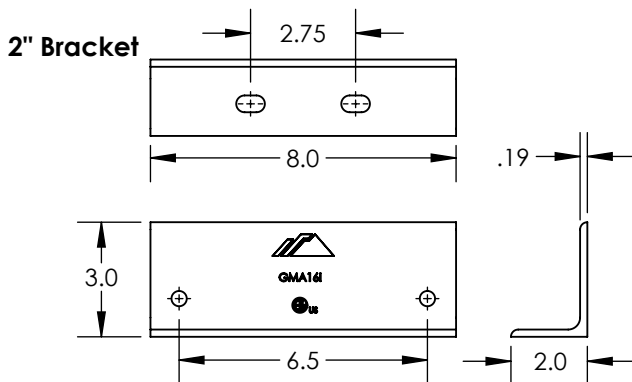


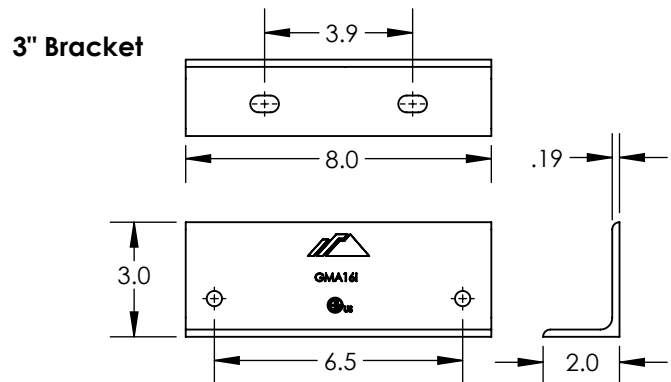
Item Number	Component	Qty in Kit
1	RAIL, 2" PIPE ATTACHING BRKT	1
2	UBOLT, CUSTOM SGA PIPE	1
3	WASHER, FLAT 3/8 GALV	2
4	WASHER, LOCK 3/8 GALV	2
5	NUT, HEX 3/8-16 GALV	2
6	BOLT, BOND 3/8-16 X .75 LG SQ HEAD	2
7	NUT, FLANGE HEX 3/8-16 SS	2

Part Number	Description
GM-BRC-002	GROUND MOUNT BONDED RAIL CONNECTOR - 2"
GM-BRC-003	GROUND MOUNT BONDED RAIL CONNECTOR - 3"

1) Rail, Pipe Attaching Bracket



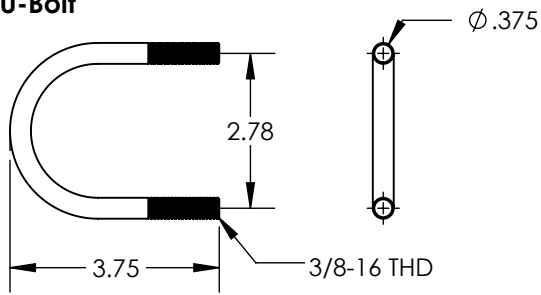
Property	Value
Material	Aluminum
Finish	Mill



Property	Value
Material	Aluminum
Finish	Mill

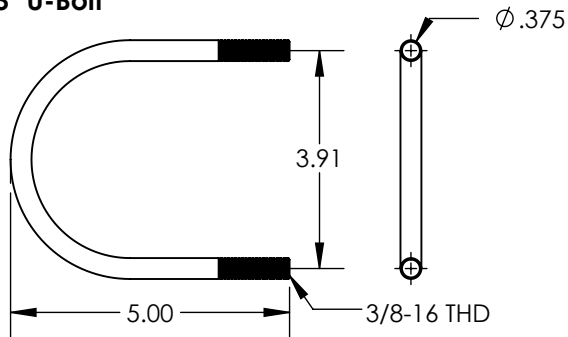
2) U-bolt, Custom SGA Pipe

2" U-Bolt



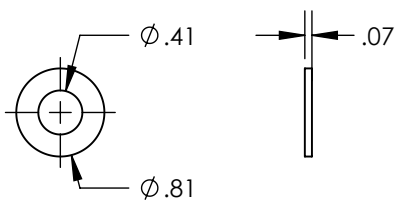
Property	Value
Material	Steel
Finish	Hot-Dip Galvanized

3" U-Bolt



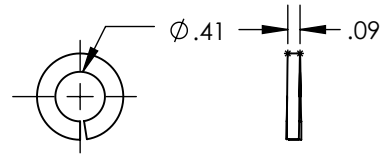
Property	Value
Material	Steel
Finish	Hot-Dip Galvanized

3) Washer, Flat 3/8 Galv



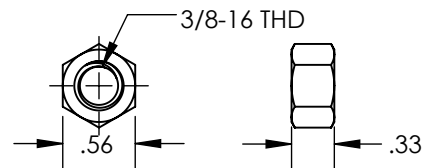
Property	Value
Material	Steel
Finish	Hot-Dip Galvanized

4) Washer, Lock 3/8 Galv



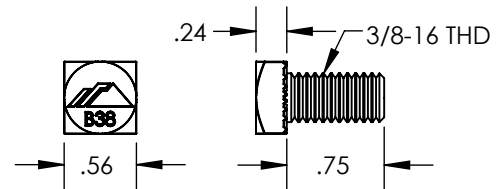
Property	Value
Material	Steel
Finish	Hot-Dip Galvanized

5) Nut, Hex 3/8-16 Galv



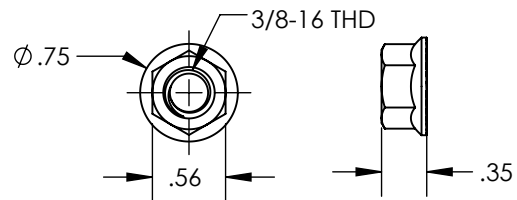
Property	Value
Material	Steel
Finish	Hot-Dip Galvanized

6) Bolt, Bond 3/8-16 X .75 LG SQ Head



Property	Value
Material	Stainless Steel
Finish	Clear

7) Nut, Flange Hex 3/8-16 SS



Property	Value
Material	Stainless Steel
Finish	Clear