

The right way to attach almost anything to metal roofs!

S-5![®]

The Right Way!

CorruBracket™ 100T

CorruBracket™ 100T is designed specifically for corrugated roofing profiles that are common in North America. CorruBracket 100T is affixed to the crest of the corrugation, leaving the drainage plane free of holes to protect against leaks. For medium-duty applications, the bracket can be attached directly to the sheeting, accommodating ancillary attachment anywhere along the corrugation. For heavy-duty applications, the bracket can be fixed into the underlying substrate for additional support without crushing the corrugation.

Having no messy sealants to apply, CorruBracket 100T comes with a factory-applied EPDM rubber gasket seal already on the base, and the S-5![®]-patented reservoir conceals the EPDM from UV exposure, preventing UV degradation.

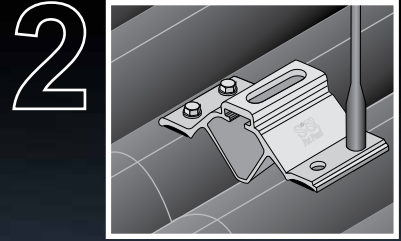
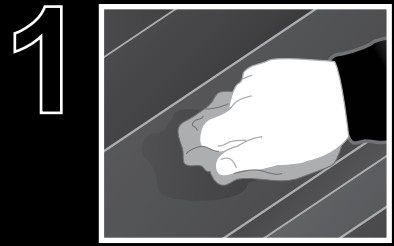
Installation is simple! CorruBracket 100T is mounted directly into the crest of the corrugation, straddling the valley. No surface preparation is necessary; simply wipe away excess oil and debris, align, and apply. Secure directly into the crest of the corrugation by driving the appropriate screws into the pre-punched holes, or pre-drilling the proper-sized hole through the pre-punched holes and riveting.

The slotted top hole, which accommodates standard M8 nuts and bolts, simplifies alignment and maximizes flexibility in attaching ancillaries.

CorruBracket™ 100T Mini

The CorruBracket™ 100T Mini is a bit shorter than its standard counterpart and has two pre-punched holes in its base rather than four. The mini is the choice for attaching all kinds of rooftop accessories: signs, walkways, satellite dishes, antennas, rooftop lighting, lightning protection systems, solar arrays, exhaust stack bracing, conduit, condensate lines, mechanical equipment—just about anything!*

*S-5! mini brackets are not compatible with, and should not be used with, S-5! SnoRail™/SnoFence™, or ColorGard®, or X-Gard™ snow retention systems.



S-5![®] CorruBracket™ 100T is the right way to attach almost anything to corrugated roofing profiles common in North America, including PV via rail or DirectAttached™ methods.

CorruBracket™ 100T (and Mini)

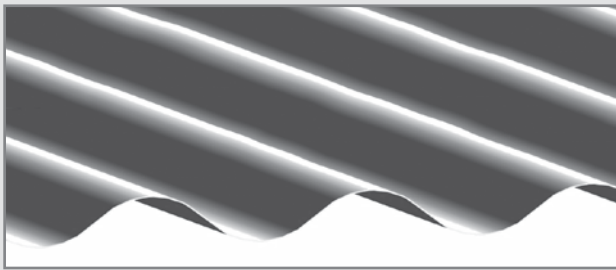


888-825-3432 | www.S-5.com |

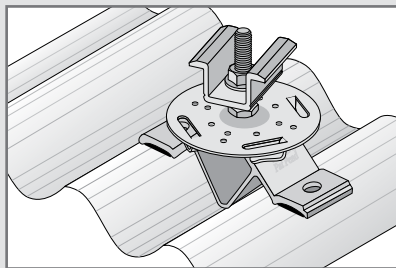
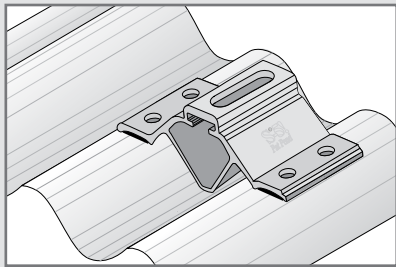
CorruBracket™ 100T can be used for almost any attachment need on corrugated metal roofing commonly found in North America.

The **CorruBracket™ 100T** and **CorruBracket™ 100T Mini** each come with factory-applied EPDM rubber gaskets on the base. A structural aluminum attachment bracket, CorruBracket 100T is compatible with most common metal roofing materials. For design assistance, ask your distributor, or visit www.S-5.com for the independent lab test data that can be used for load-critical designs and applications. Also, please visit our website for more information including CAD details, metallurgical compatibilities, and specifications. S-5![®] holding strength is unmatched in the industry.

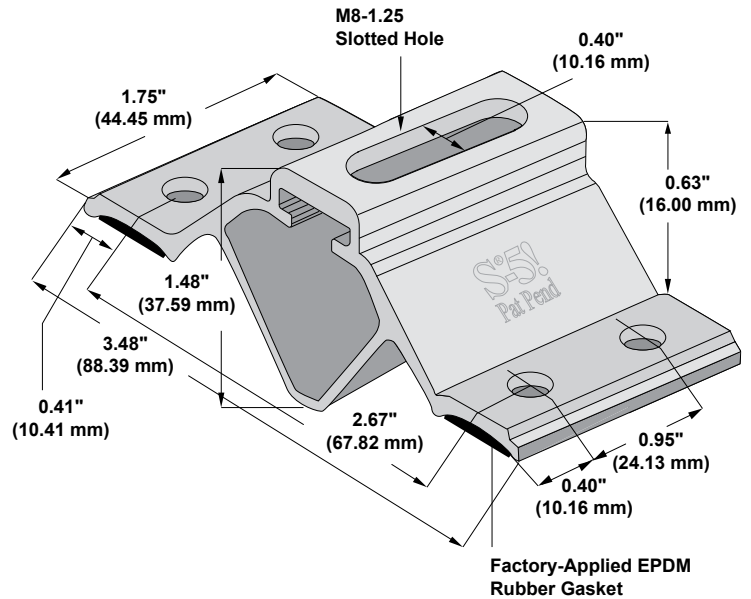
Example Profile



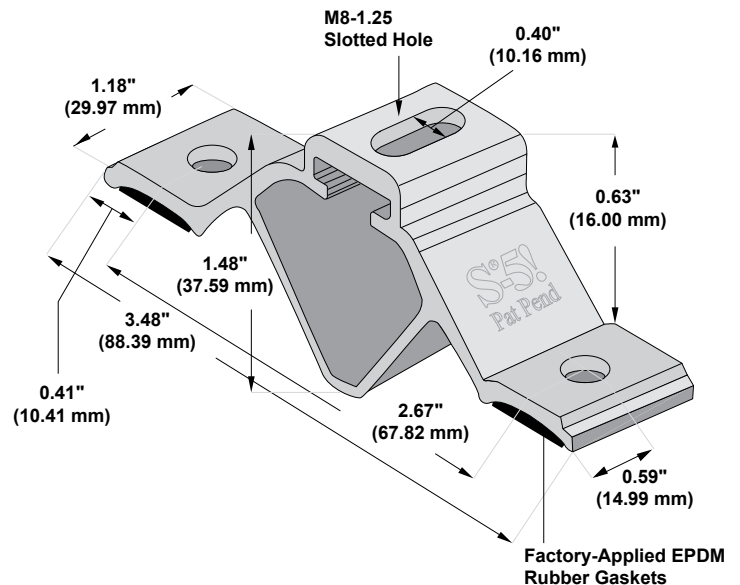
Example Applications



CorruBracket™ 100T



CorruBracket™ 100T Mini



Attachment fasteners not included. Contact your distributor for information about hardware requirements.

S-5![®] Warning! Please use this product responsibly!

Products are protected by multiple U.S. and foreign patents. For published data regarding holding strength, bolt torque, patents, and trademarks, visit the S-5! website at www.S-5.com.

Copyright 2015, Metal Roof Innovations, Ltd. S-5! products are patent protected. S-5! aggressively protects its patents, trademarks, and copyrights. Version 052115.

Distributed by