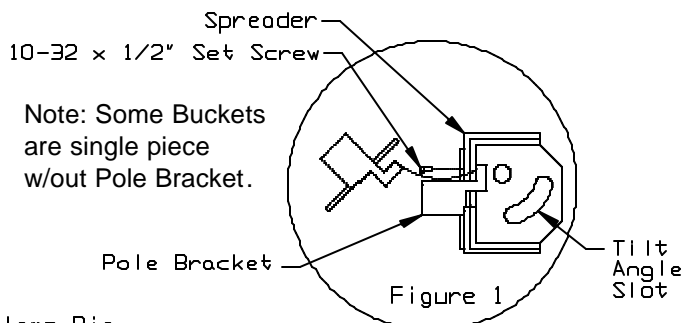
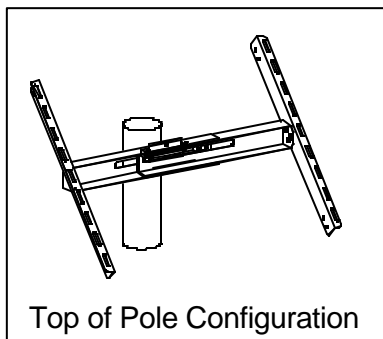
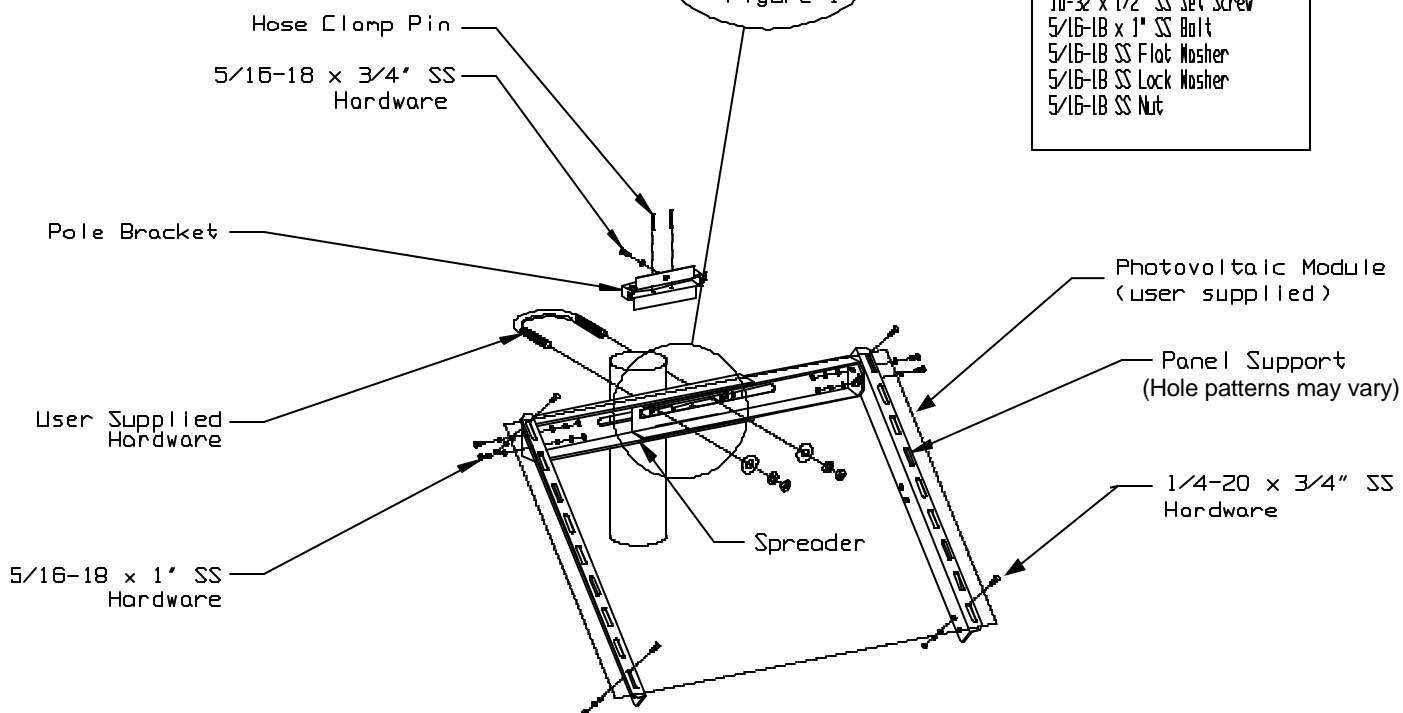




# Small Side of Pole / Top of Pole Mount



Item List
Pole Bracket
Spreader
Panel Support
Hose Clamp Pin
1/4-20 x 3/4" SS Bolt
1/4-20 SS Flat Washer
1/4-20 SS Lock Washer
1/4-20 SS Nut
10-32 x 1/2" SS Set Screw
5/16-18 x 1" SS Bolt
5/16-18 SS Flat Washer
5/16-18 SS Lock Washer
5/16-18 SS Nut



## Installation Steps:

*Read all of the instructions prior to beginning assembly.*

1. Lay the module face down on a protected surface and attach Panel Supports with supplied hardware. Finger tighten.
2. Attach Panel Supports to Spreader with supplied hardware and finger tighten.
3. Attach Spreaders to pole using user supplied U-bolt and Pole Bracket. Tighten securely.
4. Adjust the tilt angle to the module manufacturers recommendation.
5. Tighten hardware to the following torque values:
  - a. 1/4-inch hardware to 7 ft-lbs
  - b. 5/16-inch hardware to 12 ft-lbs